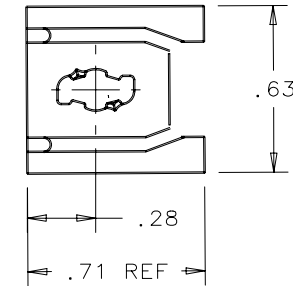
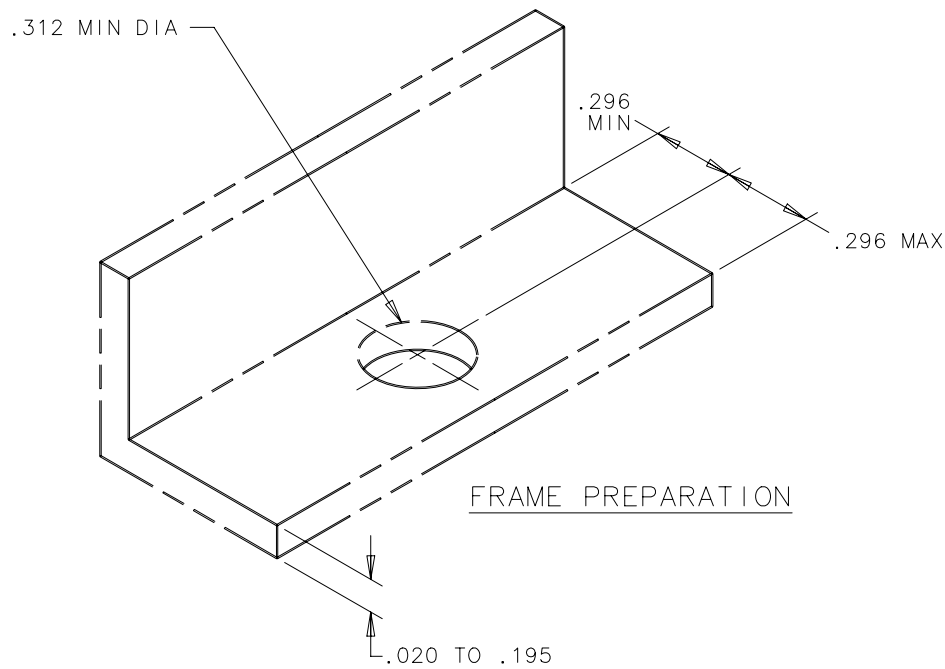
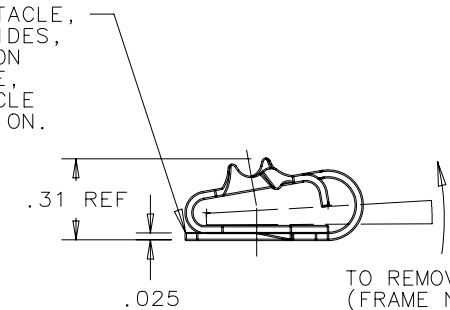


DATE	DRAWN	CHKD	SCALE	DRAWING NUMBER
5-27-80	RHB		NTS	J-82-47-113

REV.	DATE	BY-CHKD	REVISIONS	PART No.	MATERIAL	FINISH			
J	29MAR2001	RJB / JGK	PRN: P2001-0035	82-47-113-15	STEEL	ZINC FLAKE COATING			
K	12APR2005	BRP/RLR	PRN: P2005-0410	82-47-113-20	STAINLESS STEEL	PASSIVATE			
				82-47-113-52	STAINLESS STEEL	BLACK ORGANIC COATING			
				82-47-113-58	STAINLESS STEEL	BLACK ORGANIC COATING			



TO INSTALL RECEPTACLE, HOLD IT BY ITS SIDES, CATCH THIS EDGE ON ONE SIDE OF FRAME, AND PULL RECEPTACLE OPEN TO SLIDE IT ON.



TO REMOVE RECEPTACLE (FRAME NOT SHOWN), INSERT SCREWDRIVER BLADE FULLY INTO RECEPTACLE, LIFT, AND SLIDE OFF.

TO SELECT PROPER STUD, ADD A CONSTANT OF .030 IN. FROM THE TOTAL OF OUTER PANEL THICKNESS, FRAME THICKNESS AND SPACE BETWEEN THE TWO. NOTE: THE SPACE BETWEEN THE OUTER PANEL AND FRAME WILL ALWAYS BE AT LEAST .025 IN. BECAUSE OF THE THICKNESS OF THE RECEPTACLE LEG, AND MUST ALWAYS BE INCLUDED IN THE TOTAL.

NOTE: DIFFERENT FROM OTHER SOUTHCO RECEPTACLES, THE STUD RETAINER WILL NOT CREATE ADDITIONAL SPACE BETWEEN THE OUTER PANEL AND FRAME, AS THERE IS A CLEARANCE HOLE FOR IT IN THE RECEPTACLE LEG.